

Pictures



Features

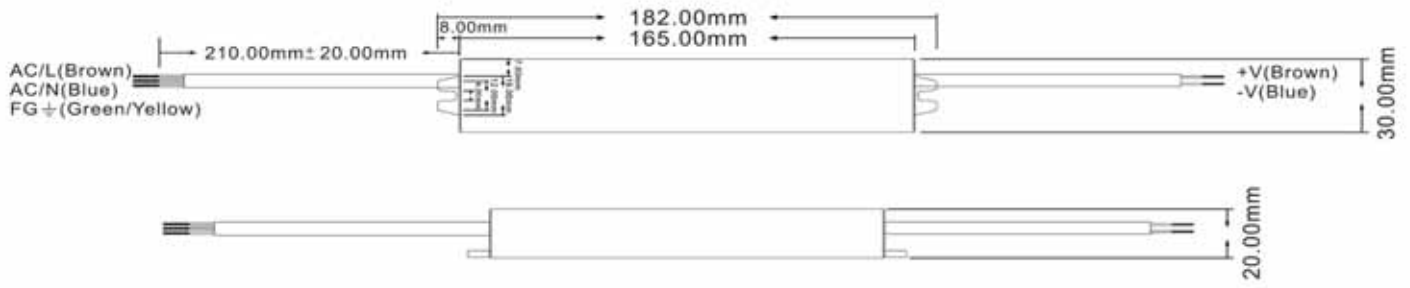
- Protections: Short circuit /Overload /Over voltage / Over temperature
- IP67 design for indoor or outdoor installations
- Cooling by free air convection
- 100% full load burn-in test
- High reliability
- 5 years warranty (Note.6)

General Specification (Please refer to www.ansoring.com for detail spec.)

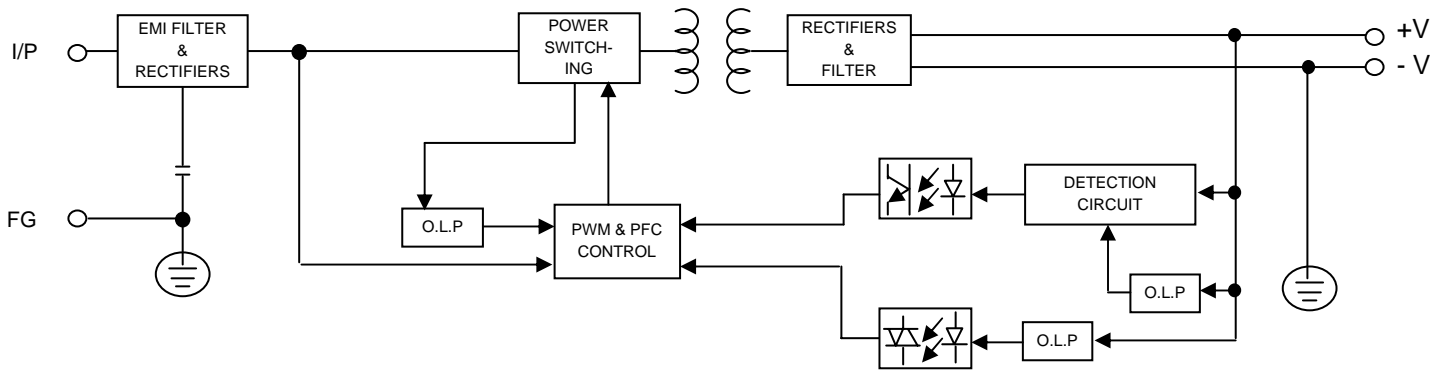


MODEL	SV-30-12	SV-30-24	SV-30-36				
OUTPUT	DC VOLTAGE	12V	24V	36V			
	RATED CURRENT	2.5A	1.25A	0.83A			
	CURRENT RANGE	0~2.5A	0~1.25A	0~0.83A			
	RATED POWER	30W	30W	30W			
	RIPPLE & NOISE (max.) Note.2	150mVp-p	150mVp-p	150mVp-p			
	VOLTAGE TOLERANCE Note.3	±3%					
	LINE REGULATION	±1%					
	LOAD REGULATION	±2%					
	SETUP, RISE TIME	1200ms, 80ms / 230VAC			1200ms, 80ms / 115VAC at full load		
HOLD UP TIME (Typ.)	60ms / 230VAC		30ms / 115VAC at full load				
INPUT	VOLTAGE RANGE	90~264VAC		127~370VDC			
	FREQUENCY RANGE	47~63Hz					
	EFFICIENCY(Typ.)	84%	82%	82%			
	INRUSH CURRENT(max.)	COLD START 40A/230VAC					
	LEAKAGE CURRENT	0.5mA / 240VAC					
PROTECTION	OVER CURRENT	95%~130% Protection type : Constant current limiting, recovers automatically after fault condition is removed					
	OVER VOLTAGE	13~16V	27~34V	41~46V			
	OVER TEMPERATURE	90 ±10 Protection type : Shut down o/p voltage, re-power on to recover					
ENVIRONMENT	WORKING TEMP.	-30 ~ +70 (Refer to output load derating curve)					
	WORKING HUMIDITY	20 ~ 90% RH non-condensing					
	STORAGE TEMP., HUMIDITY	-40 ~ +80 , 10 ~ 95% RH					
	TEMP. COEFFICIENT	±0.03%/ (0 ~ 50)					
	VIBRATION	10 ~ 500Hz, 2G 10min./1cycle, period for 60min. each along X, Y, Z axes					
SAFETY & EMC	SAFETY STANDARDS						
	WITHSTAND VOLTAGE	I/P-O/P:3KVAC					
	ISOLATION RESISTANCE	I/P-O/P:100M Ohms/500VDC					
	EMI CONDUCTION & RADIATION						
	HARMONIC CURRENT						
OTHERS	EMT IMMUNITY						
	MTBF	50Khrs min. MIL-HDBK-217F (25)					
	DIMENSION (mm)	182*30*20mm(L*W*H)					
	PACKING (kg)	0.21kg					
NOTE	1. All parameters NOT specially mentioned are measured at 230VAC input, rated load and 25 of ambient temperature. 2. Ripple & noise are measured at 20MHz of bandwidth by using a 12" twisted pair-wire terminated with a 0.1uf & 47uf parallel capacitor. 3. Tolerance : includes set up tolerance, line regulation and load regulation. 4. Derating may be needed under low input voltage. Please check the derating curve for more details. 5. This is the maximum possible output current and power, over load protection may be activated slightly below this level to comply with the requirement of UL1310 class 2. 6. 2 years warranty is guaranteed for operating ambient temperature no higher than 68 .						

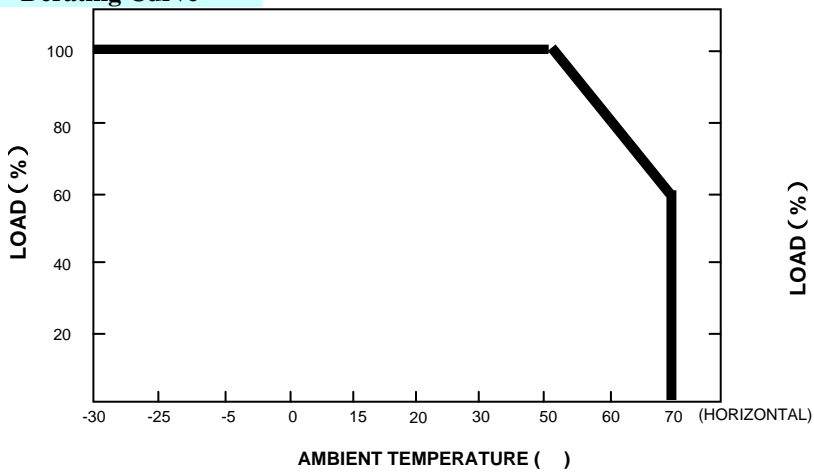
Mechanical Specification



Block Diagram



Derating Curve



Static Characteristics

