

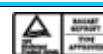
### Pictures



### Features

- Protections: Short circuit /Overload /Over voltage / Over temperature
- IP67 design for indoor or outdoor installations
- Cooling by free air convection
- 100% full load burn-in test
- High reliability
- 5 years warranty (Note.6)

### General Specification (Please refer to [www.anysoring.com](http://www.anysoring.com) for detail spec.)

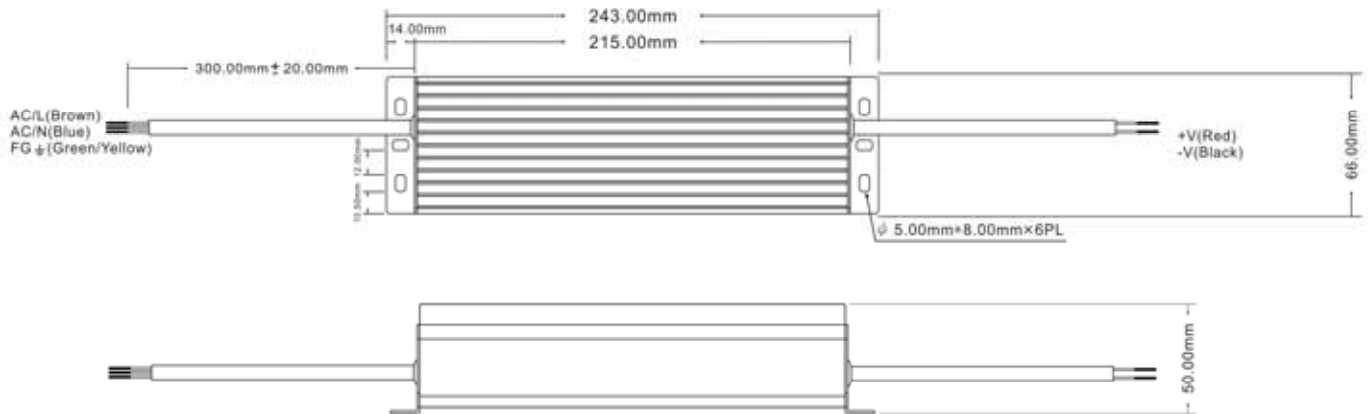


MODEL		SV-150-12	SV-150-24	SV-150-36	SV-150-48			
OUTPUT	DC VOLTAGE	12V	24V	36V	48V			
	RATED CURRENT	12.5A	6.25A	4.16A	3.13A			
	CURRENT RANGE	0~8.33A	0~6.25A	0~4.16A	0~3.13A			
	RATED POWER	150W	150W	150W	150W			
	RIPPLE & NOISE (max.) Note.2	150mVp-p	150mVp-p	200mVp-p	200mVp-p			
	VOLTAGE TOLERANCE Note.3	±3%						
	LINE REGULATION	±1%						
	LOAD REGULATION	±2%						
	SETUP, RISE TIME	1200ms, 80ms / 230VAC			1200ms, 80ms / 170VAC at full load			
HOLD UP TIME (Typ.)	60ms / 230VAC			30ms / 170VAC at full load				
INPUT	VOLTAGE RANGE	170~250VAC		240~350VDC				
	FREQUENCY RANGE	47~63Hz						
	EFFICIENCY(Typ.)	82%	86%	88%	89%			
	INRUSH CURRENT(max.)	COLD START 40A/230VAC						
	LEAKAGE CURRENT	0.5mA / 240VAC						
PROTECTION	OVER CURRENT	95%~130% Protection type : Constant current limiting, recovers automatically after fault condition is removed						
	OVER VOLTAGE	13~16V	27~34V	41~46V	54~60V			
	OVER TEMPERATURE	90 ±10 Protection type : Shut down o/p voltage, re-power on to recover						
ENVIRONMENT	WORKING TEMP.	-30 ~ +70 (Refer to output load derating curve)						
	WORKING HUMIDITY	20 ~ 90% RH non-condensing						
	STORAGE TEMP., HUMIDITY	-40 ~ +80 , 10 ~ 95% RH						
	TEMP. COEFFICIENT	±0.03%/ (0 ~ 50 )						
	VIBRATION	10 ~ 500Hz, 2G 10min./1cycle, period for 60min. each along X, Y, Z axes						
SAFETY & EMC	SAFETY STANDARDS							
	WITHSTAND VOLTAGE	I/P-O/P:3KVAC						
	ISOLATION RESISTANCE	I/P-O/P:100M Ohms/500VDC						
	EMI CONDUCTION & RADIATION							
	HARMONIC CURRENT							
OTHERS	EMM IMMUNITY							
	MTBF	50Khrs min. MIL-HDBK-217F (25 )						
	DIMENSION (mm)	243*66*50mm(L*W*H)						
	PACKING (kg)	1.20kg						

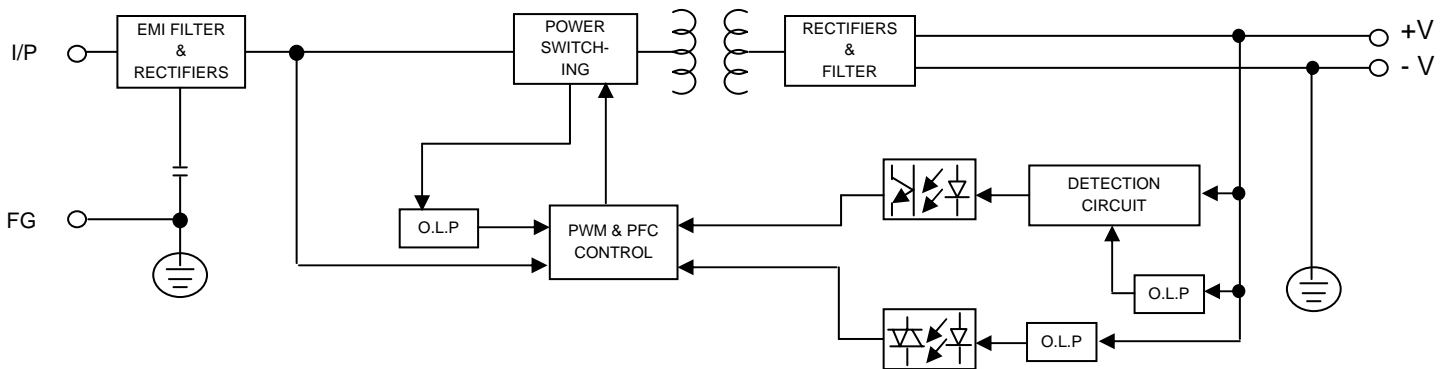
### NOTE

1. All parameters NOT specially mentioned are measured at 230VAC input, rated load and 25 of ambient temperature.
2. Ripple & noise are measured at 20MHz of bandwidth by using a 12" twisted pair-wire terminated with a 0.1uf & 47uf parallel capacitor.
3. Tolerance : includes set up tolerance, line regulation and load regulation.
4. Derating may be needed under low input voltage. Please check the derating curve for more details.
5. This is the maximum possible output current and power, over load protection may be activated slightly below this level to comply with the requirement of UL1310 class 2.
6. 2 years warranty is guaranteed for operating ambient temperature no higher than 68 .

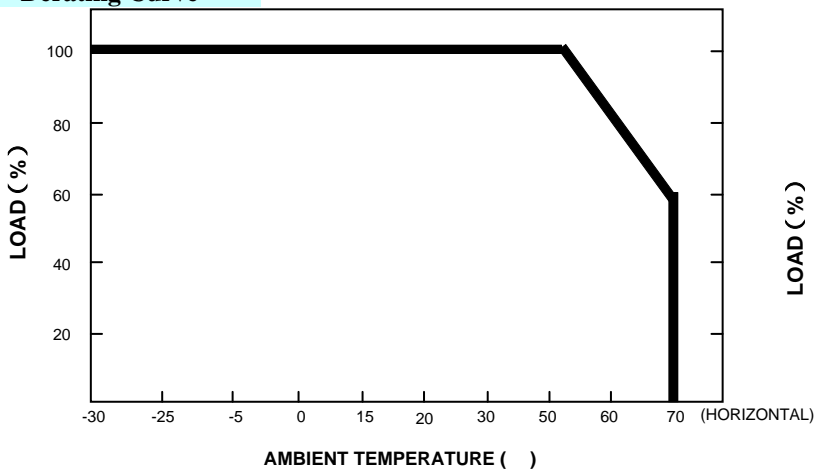
### Mechanical Specification



### Block Diagram



### Derating Curve



### Static Characteristics

