

Pictures



Features

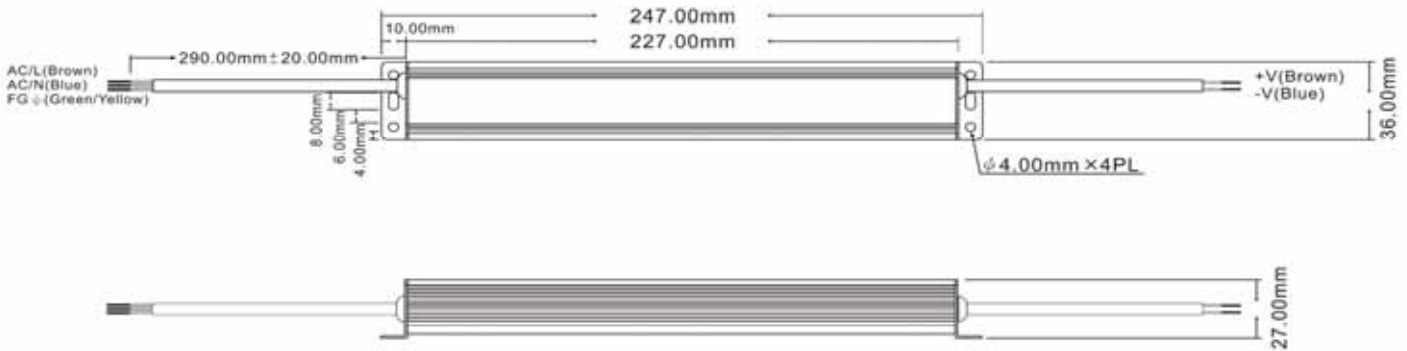
- Protections: Short circuit /Overload /Over voltage / Over temperature
- Built-in active PFC function
- IP67 design for indoor or outdoor installations
- Cooling by free air convection
- 100% full load burn-in test
- High reliability
- 5 years warranty (Note.6)

General Specification (Please refer to www.anysoar.com for detail spec.)

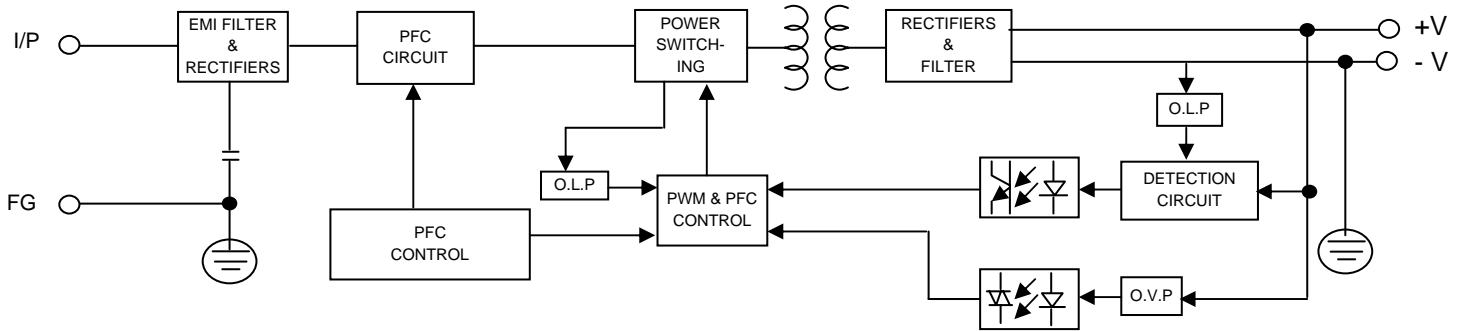


MODEL	SAF-28-350	SAF-34-450	SAF-35-700	SAF-25-310	SAF-42-350	SAF-42-1050	SAF-42-1200	
OUTPUT	DC VOLTAGE	80V	75V	50V	80V	116V	36V	
	LED OPERATION VOLTAGE	40~80V	40~75V	6~50V	50V~80V	60V~116V	25~36V	
	RATED CURRENT	350mA	450mA	700mA	310mA	350mA	1200mA	
	RATED POWER	28W	34W	35W	24.8W	40.6W	43.2W	
	SETUP, RISE TIME	2200ms, 80ms / 230VAC 2500ms, 80ms / 170VAC at full load						
HOLD UP TIME (Typ.)	60ms / 230VAC 30ms / 170VAC at full load							
INPUT	VOLTAGE RANGE	170~250VAC		240~350VDC				
	FREQUENCY RANGE	47~63Hz						
	POWER FACTOR	PF>0.9/230VAC		PF>0.98/170VAC at full load				
	EFFICIENCY(Typ.)	88%	87%	86%	88%	89%	89%	88%
	INRUSH CURRENT(max.)	COLD START 40A/230VAC						
LEAKAGE CURRENT	0.5mA / 240VAC							
PROTECTION	OVER CURRENT	100%~110% Protection type : Constant current limiting, recovers automatically after fault condition is removed						
	OVER VOLTAGE	Protection type : Shut down and latch off o/p voltage, re-power on to recover						
	OVER TEMPERATURE	90 ±10 Protection type : Shut down o/p voltage, re-power on to recover						
ENVIRONMENT	WORKING TEMP.	-30 ~ +70 (Refer to output load derating curve)						
	WORKING HUMIDITY	20 ~ 90% RH non-condensing						
	STORAGE TEMP., HUMIDITY	-40 ~ +80 , 10 ~ 95% RH						
	TEMP. COEFFICIENT	±0.03%/ (0 ~ 50)						
	VIBRATION	10 ~ 500Hz, 2G 10min./1cycle, period for 60min. each along X, Y, Z axes						
SAFETY & EMC	SAFETY STANDARDS							
	WITHSTAND VOLTAGE	I/P-O/P:3KVAC						
	ISOLATION RESISTANCE	I/P-O/P:100M Ohms/500VDC						
	EMI CONDUCTION & RADIATION							
	HARMONIC CURRENT							
EMS IMMUNITY								
OTHERS	MTBF	50Khrs min. MIL-HDBK-217F (25)						
	DIMENSION (mm)	247*36*27mm(L*W*H)						
	PACKING (kg)	0.43kg						
NOTE	1. All parameters NOT specially mentioned are measured at 230VAC input, rated load and 25 of ambient temperature. 2. Ripple & noise are measured at 20MHz of bandwidth by using a 12" twisted pair-wire terminated with a 0.1uf & 47uf parallel capacitor. 3. Tolerance : includes set up tolerance, line regulation and load regulation. 4. Derating may be needed under low input voltage. Please check the derating curve for more details. 5. This is the maximum possible output current and power, over load protection may be activated slightly below this level to comply with the requirement of UL1310 class 2. 6. 2 years warranty is guaranteed for operating ambient temperature no higher than 68 .							

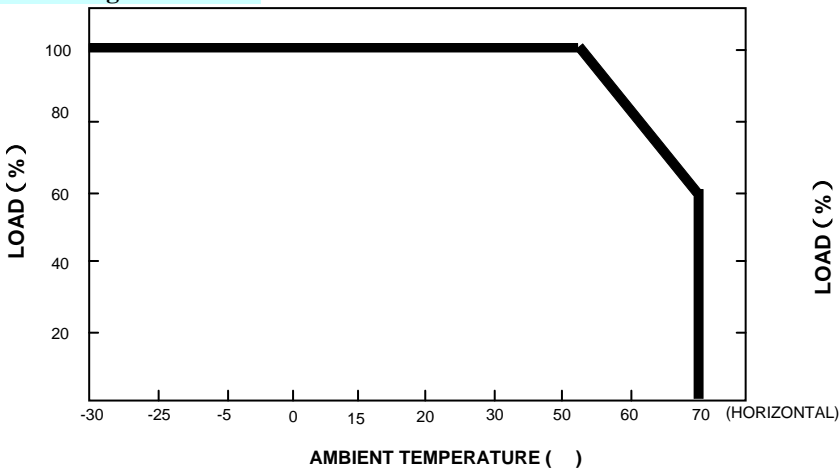
Mechanical Specification



Block Diagram



Derating Curve



Static Characteristics

