

### Pictures



### Features

- Protections: Short circuit /Overload /Over voltage / Over temperature
- IP67 design for indoor or outdoor installations
- Cooling by free air convection
- 100% full load burn-in test
- High reliability
- 5 years warranty (Note.6)

### General Specification (Please refer to [www.anysoar.com](http://www.anysoar.com) for detail spec.)



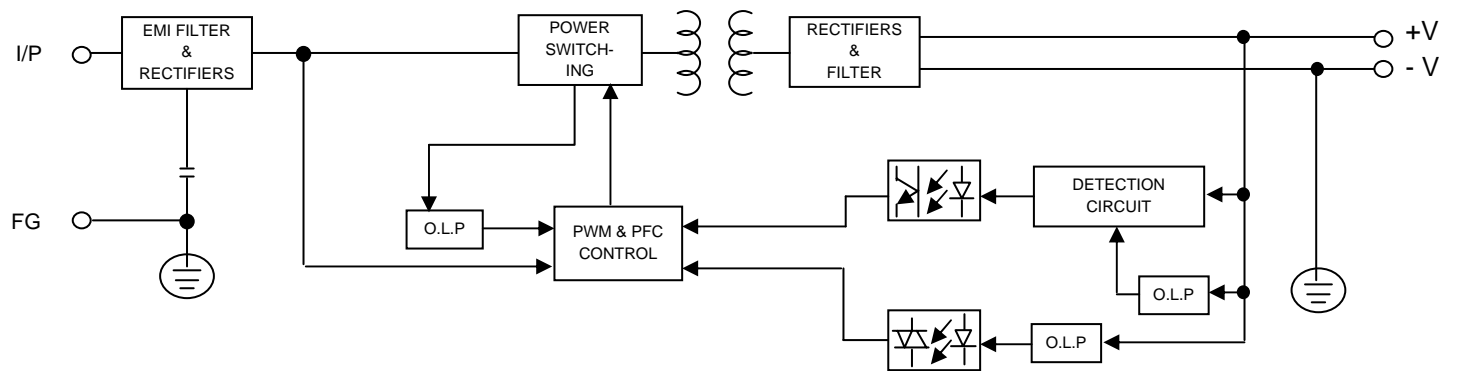
MODEL		SA-35-700	SA-42-350	SA-42-700				
OUTPUT	DC VOLTAGE	50V	116V	60V				
	LED OPERATION VOLTAGE	18~50V	60~116V	40~60V				
	RATED CURRENT	700mA	350mA	700mA				
	RATED POWER	35W	40.6W	42W				
	SETUP, RISE TIME	2200ms, 80ms / 230VAC			2500ms, 80ms / 170VAC at full load			
	HOLD UP TIME (Typ.)	60ms / 230VAC		30ms / 170VAC at full load				
INPUT	VOLTAGE RANGE	170~250VAC		240~350VDC				
	FREQUENCY RANGE	47~63Hz						
	EFFICIENCY(Typ.)	88%	89%	88%				
	INRUSH CURRENT(max.)	COLD START 40A/230VAC						
	LEAKAGE CURRENT	0.5mA / 240VAC						
PROTECTION	OVER CURRENT	100%~110% Protection type : Constant current limiting, recovers automatically after fault condition is removed						
	OVER VOLTAGE	Protection type : Shut down and latch off o/p voltage, re-power on to recover						
	OVER TEMPERATURE	90 ±10 Protection type : Shut down o/p voltage, re-power on to recover						
ENVIRONMENT	WORKING TEMP.	-30 ~ +70 (Refer to output load derating curve)						
	WORKING HUMIDITY	20 ~ 90% RH non-condensing						
	STORAGE TEMP., HUMIDITY	-40 ~ +80 , 10 ~ 95% RH						
	TEMP. COEFFICIENT	±0.03%/ (0 ~ 50 )						
	VIBRATION	10 ~ 500Hz, 2G 10min./1cycle, period for 60min. each along X, Y, Z axes						
SAFETY & EMC	SAFETY STANDARDS							
	WITHSTAND VOLTAGE	I/P-O/P:3KVAC						
	ISOLATION RESISTANCE	I/P-O/P:100M Ohms/500VDC						
	EMI CONDUCTION & RADIATION							
	HARMONIC CURRENT							
	EMS IMMUNITY							
OTHERS	MTBF	50Khrs min. MIL-HDBK-217F (25 )						
	DIMENSION (mm)	217*30*20mm(L*W*H)						
	PACKING (kg)	0.25kg						

NOTE	
	<ol style="list-style-type: none"> <li>1. All parameters NOT specially mentioned are measured at 230VAC input, rated load and 25 of ambient temperature.</li> <li>2. Ripple &amp; noise are measured at 20MHz of bandwidth by using a 12" twisted pair-wire terminated with a 0.1uf &amp; 47uf parallel capacitor.</li> <li>3. Tolerance : includes set up tolerance, line regulation and load regulation.</li> <li>4. Derating may be needed under low input voltage. Please check the derating curve for more details.</li> <li>5. This is the maximum possible output current and power, over load protection may be activated slightly below this level to comply with the requirement of UL1310 class 2.</li> <li>6. 2 years warranty is guaranteed for operating ambient temperature no higher than 68 .</li> </ol>

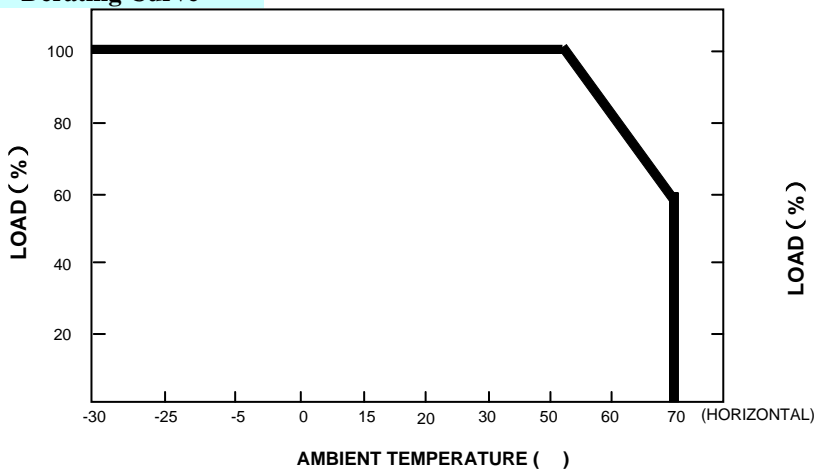
### Mechanical Specification



### Block Diagram



### Derating Curve



### Static Characteristics

